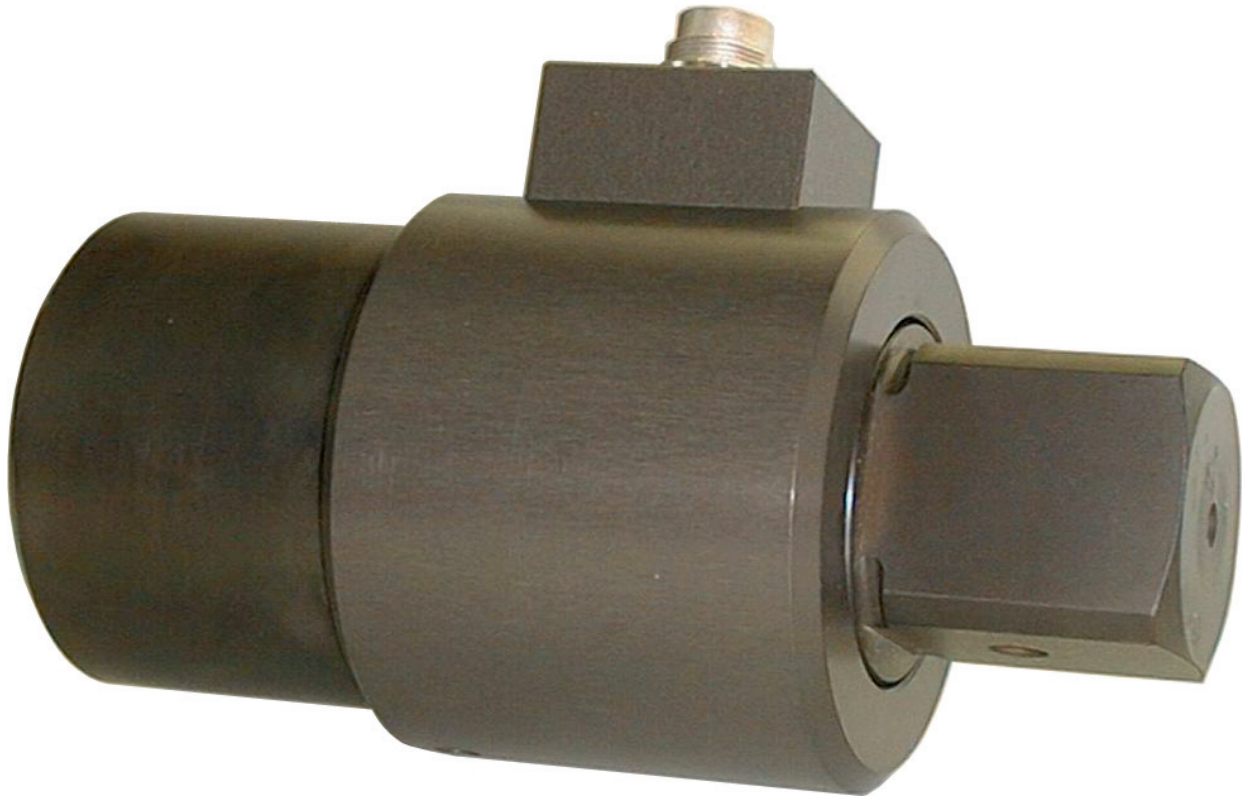


Torque Transducer Type DRN5000-1½“ for static Application



Suitable for:

- for non rotation applications
- construct of testing equipment
- reference torque transducer

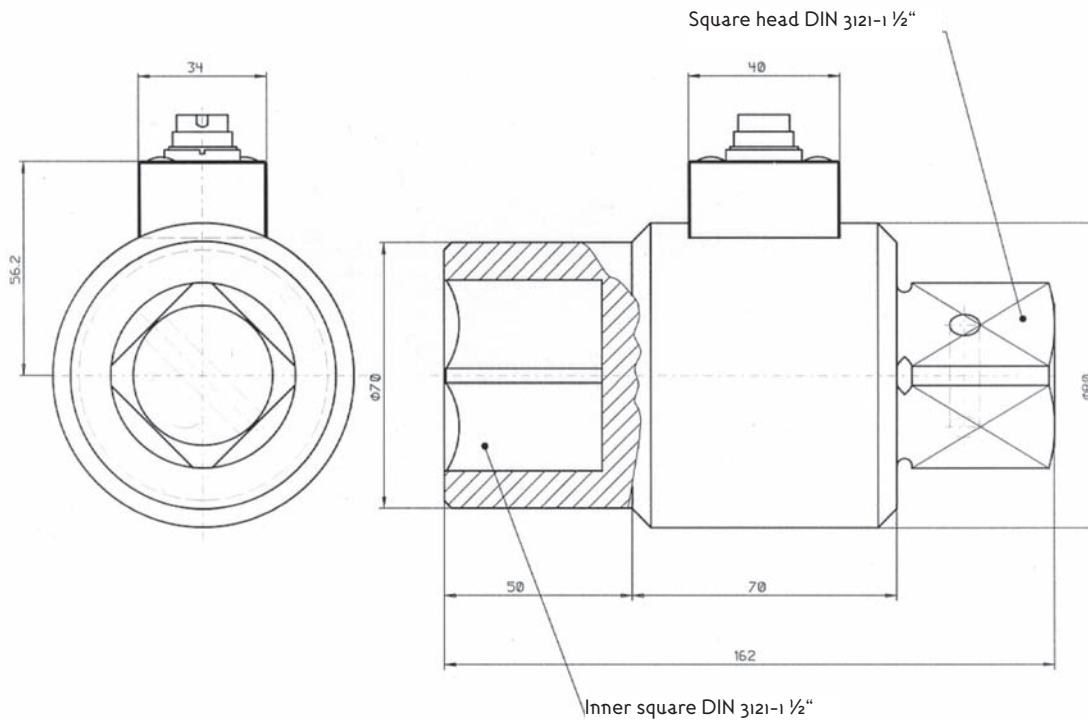
Special features:

- insensitive for bending force
- degree of accuracy 0,5%
- protection IP 50 or 55
- Adaptable with standardized 1 ½“ square drive DIN3121

Description:

This non rotating transducer was developed for construction of testing equipment or static test of torque transducers, electric screwdrivers and so on. It can be constructed with protection IP 55 conform with DIN 40050.

Mechanical dimensions:



Technical Data:

Type:	(a)ctive	(p)assive
Measurement Range:	2000; 3000; 4000; 5000 Nm	
Supply Voltage:	12V DC+-10%	12 V max.
Current Consumption:	approx. 20mA	35mA max.
Voltage Output:	0- ±5V	2mV/V
Nonlinearity:	<0,15 %	<0,15 %
Hysteresis:	<0,1 %	<0,1 %
Internal Resistance	---	350 Ω nominal
Compensated Temp. Range:	5-45°C	5-45°C
Operating Temperature:	0-60°C	0-60°C
Temperature fault		
Zero Point:	0,02 % / K	0,02 % / K
Sensitivity:	0,01 % / K	0,01 % / K
Mechanical Overload:	100%	100%
Connection:	12 pin Connector	6 pin Connector
Protection:	IP 50 or IP 55	IP 50 or IP 55
Weight:	approx. 3000 g	approx. 3000 g

Available Accessories: Connectors, measuring cable, supply and display unit

Ordering Example: DRN5000-1 1/2"-a

Torque transducer measuring range 5000 Nm active